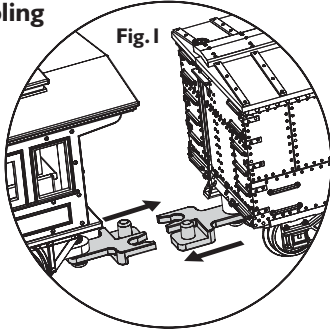


RI 149 TOY STORY TRAIN SET

Operating and Maintenance Instructions

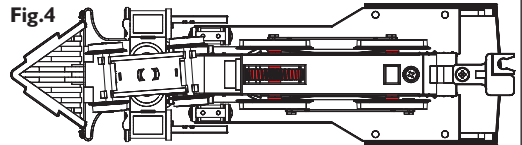
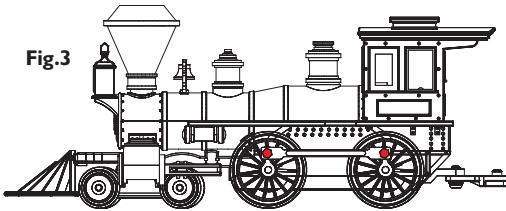
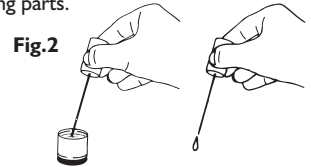
1 Coupling

For coupling coaches see Fig. 1.



2 Lubrication

IMPORTANT – Only apply small single drops of light machine oil to the places indicated in red in Figs 3 and 4. This is best achieved by making a simple oil ‘dropper’ as illustrated in Fig.2. Insert a straightened paper clip into a cork and use a bottle cap as a container for the oil. A small drop of oil can then be picked up by the dropper and applied in exactly the right place. Immediately wipe off any excess oil, especially from the locomotive body. Only lubricate moving parts.



1 ReRailer Tool

Place ReRailer Tool onto a straight piece of track making sure the narrow end sits between the metal rails and the ramp is facing upwards. Lower the Locomotive and coaches onto the widest section of the ramp and ease them down towards the narrow end. The wheels will automatically be guided into position to sit on the metal rails.

